

# SIMPLEX

**HI 82 REFR**

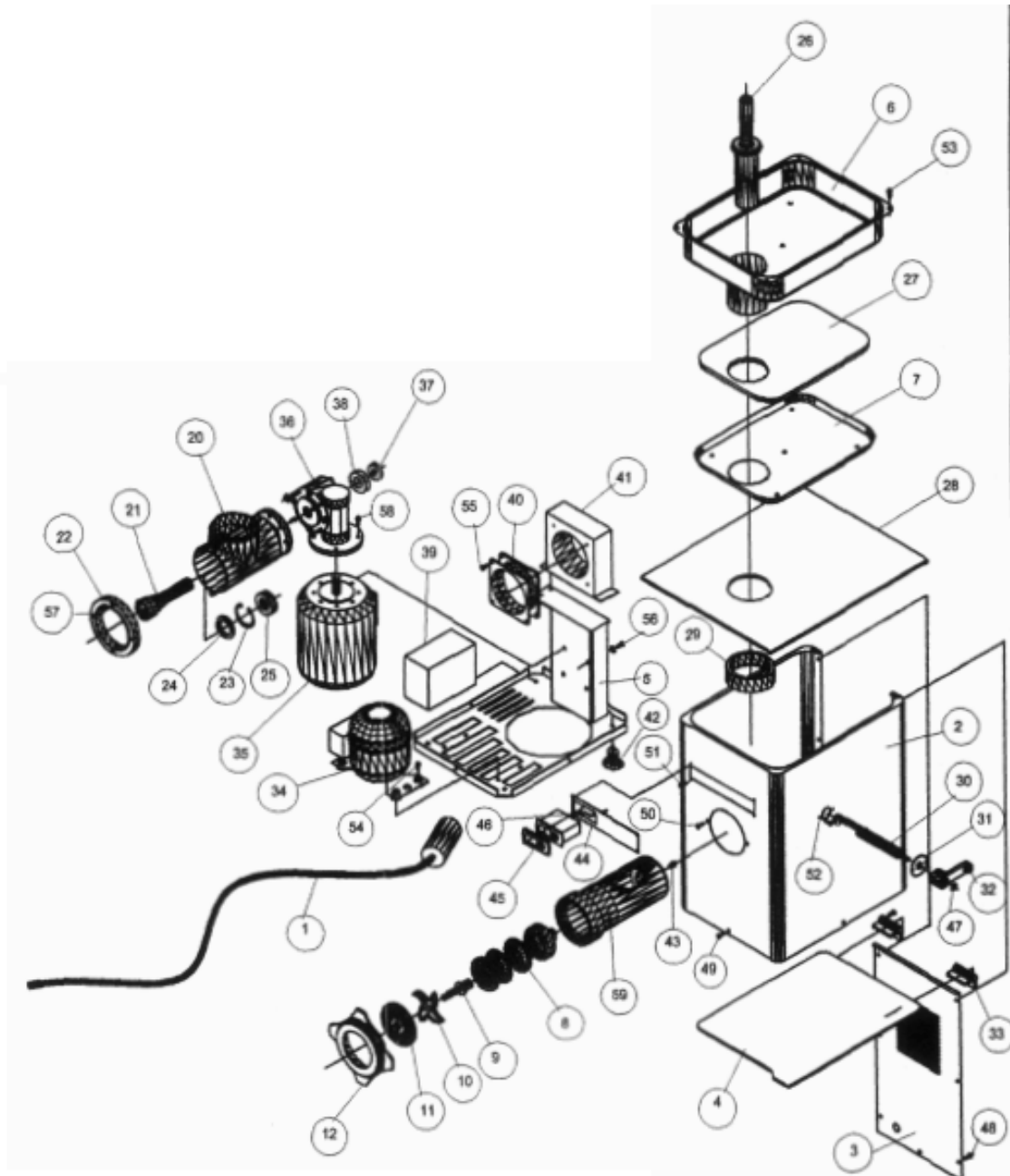
**HACHOIR REFRIGERE H 82 R**



SIMPLEX  
22 RUE BENJAMIN RASPAIL  
92243 MALAKOFF CEDEX  
TEL 01 46 55 00 77 FAX 01 46 55 25 05  
MAIL [SIMPLEX@SIMPLEX.FR](mailto:SIMPLEX@SIMPLEX.FR)  
<http://www.simplex.fr>

# SIMPLEX

HI 82 REFR

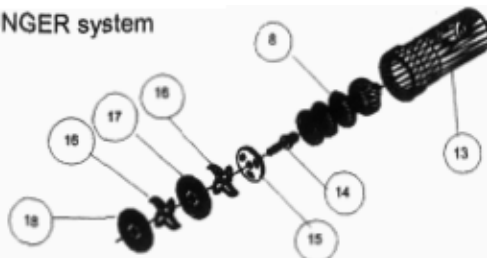


SIMPLEX  
22 RUE BENJAMIN RASPAIL  
92243 MALAKOFF CEDEX  
TEL 01 46 55 00 77 FAX 01 46 55 25 05  
MAIL [SIMPLEX@SIMPLEX.FR](mailto:SIMPLEX@SIMPLEX.FR)  
<http://www.simplex.fr>

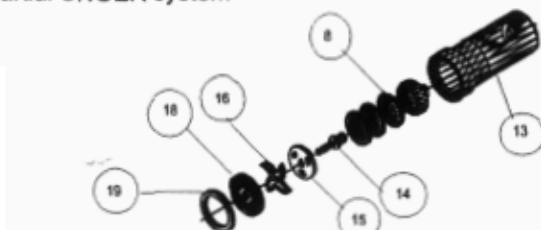
# SIMPLEX

## HI 82 REFR

Full UNGER system



Partial UNGER system



### MEAT MINCER

N°	Code	Description
1	137.03/01	Tree-phase cord with plug, 5x15
2	120.01/01	Casing
3	120.01/05	Back panel
4	120.01/02	Happer lid
5	120.01/04	Bottom
6	120.01/09	Happer
7	120.01/19	Happer bowi
8	113.04/06	Stainless steel worm
9	113.01/15	Worm pin
10	113.02/02	Stainless steel knife
11	113.02/01-45	Plate D.4,5
12	141 .01/13	Stainless steel lock ring
13	113.04/07	UNGERhead
14	113.04/11	UNGER worm pin
15	113.04/31	Crushing plate
16	113.04129	UNGER double knife
17		UNGER Intemedlate plate
18	113.04/34	UNGER plate,D.4,5
19	113.04/16	UNGERspacer
20	120.01/06	Head support
21	160.04/06	Shaft
22	120.01/03	Front ring
23		Seeger-nng D.52
24	160.02/01	Seal ring, AS 38527
25	160.02/02	Thrust Bearing 51206 ZKL
26	113.01/21	Plasllc plunger
27	120.01/26	Heat insulating material for under happer bowl
28	120.01/27	Under bowi insulating materla!
29	120.01125	Head support insulating material
30	120.01/08	Neck hopper
31	120.01/10	Lock pin head
32	141 .01/07	Blocking pin
33	127.02)03	Handle
34	141.02/01	HingeFM
35	120.06/01	Compressor elettrolux GD4OMB
36	120.03/12	MotorM8OB14
37	120.03/11	Reducer VF49 P10 6452/1000
38	160.01/17	Coverforcup-springs
39	160.02/04	Cup-spdnng D.50/25x1,2
39	120.stadco	Electric circuit without reverse

SIMPLEX

22 RUE BENJAMIN RASPAIL

92243 MALAKOFF CEDEX

TEL 01 46 55 00 77 FAX 01 46 55 25 05

MAIL [SIMPLEX@SIMPLEX.FR](mailto:SIMPLEX@SIMPLEX.FR)

<http://www.simplex.fr>

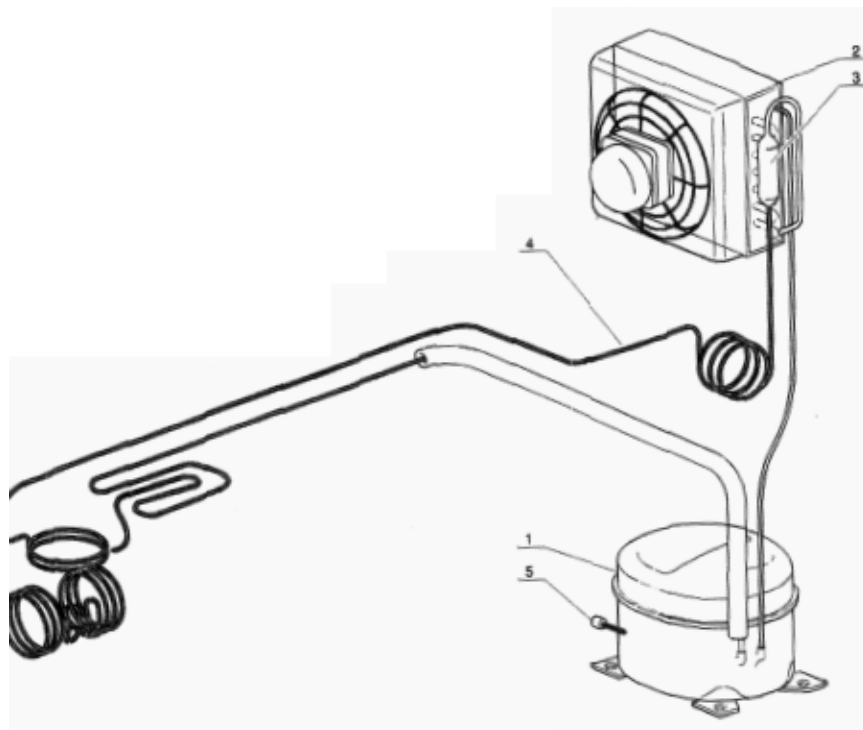
# SIMPLEX

## HI 82 REFR

		function
40	120.02/50	Electro-valve papst 220VOLT
41	120.06102	Condenser
42	116.02/10	Feet AFP-G4735-08-R Z-E
43	113.01/19	Head locking pin
44		Comand panel
45	141.03/01	Thermostat CAREL
46	141,03/02	NTC sensor
47		Nut M8
48		Screw, M5x10 TBL
49		Screw, M5x10 TBL
50		Screw, M6x10
51		Screw, M3x10 TBL
52		Screw, M3x10 TBL
53		Stainless steel screw, M4x12 TSTC
54		Stainless steel screw, M6x30 TCEI
55		Stainless steel screw, M4x45 TSTC
56		Stainless steel screw, M5x10 TCEI
57		Stainless steel screw, M5x14 TCEI
58		Stainless steel screw, M5x14 TE
59	113.04/05	Stainless steel head

# SIMPLEX

HI 82 REFR



N°	Code	Description
1	120.06/01	Compressor
	120.06/02	Condenser
	146.06/03	Filter
	127.06/04	Capillary Charging connection

SIMPLEX  
22 RUE BENJAMIN RASPAIL  
92243 MALAKOFF CEDEX  
TEL 01 46 55 00 77 FAX 01 46 55 25 05  
MAIL [SIMPLEX@SIMPLEX.FR](mailto:SIMPLEX@SIMPLEX.FR)  
<http://www.simplex.fr>