

SIMPLEX OSAV 300

RECOMMENDED SPARE PARTS

2350/2370 G

AF016
Sharpening stone



AF015
Cleaning stone



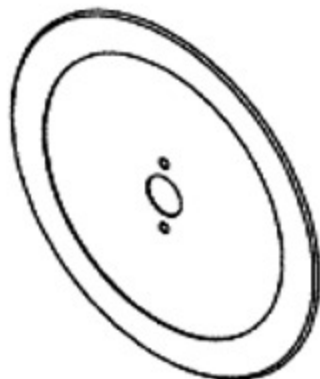
X0090
Water ring protection



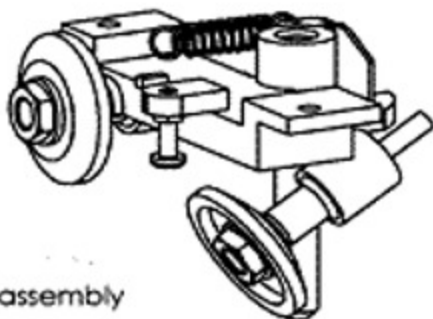
G5CIN
Belt



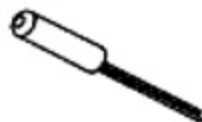
Z5LMC
Blade ø 350
Z7LMC
Blade ø 370



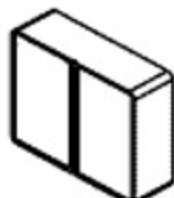
GDCOR
Sharpening assembly



Z9LCE
24V Signal Lamp



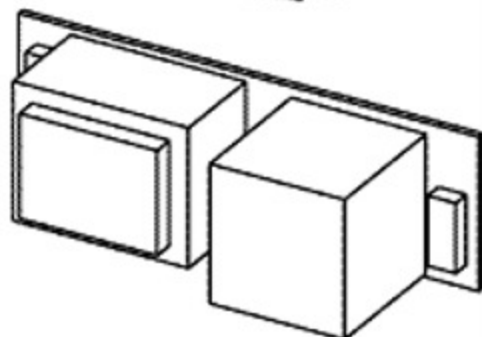
Z9KAP
Switch protection



ZZPSA
Start/Stop Switch



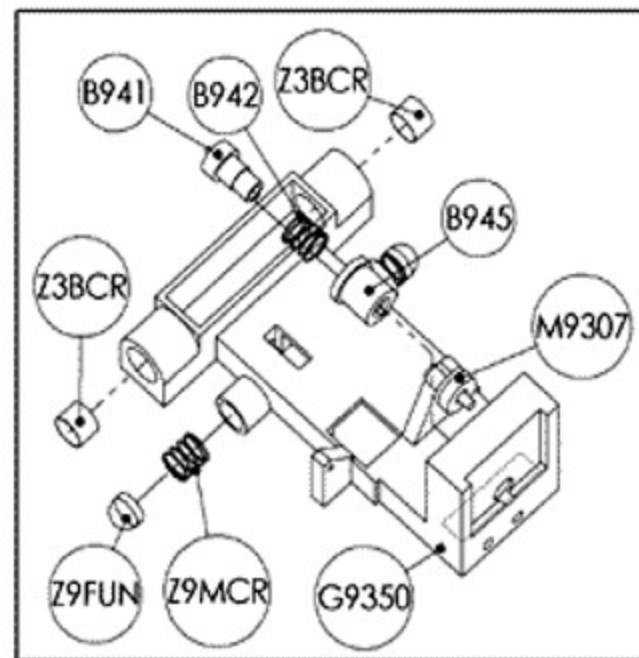
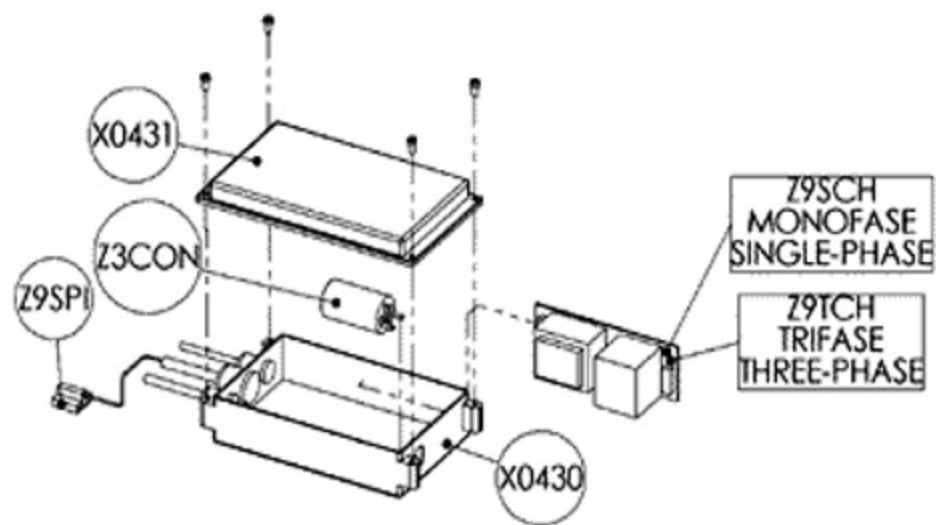
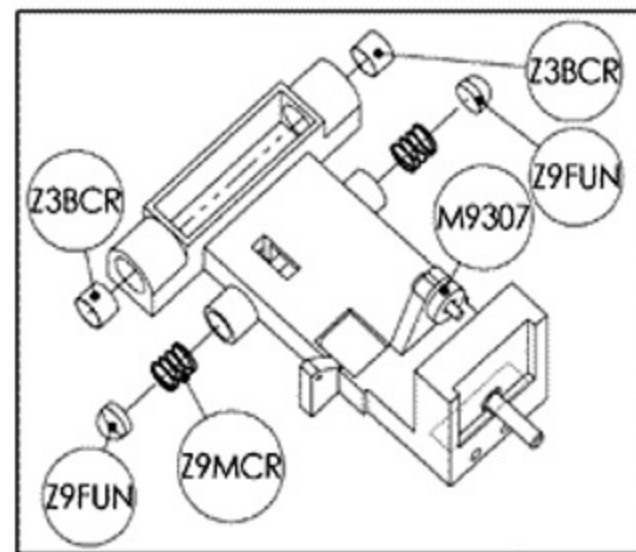
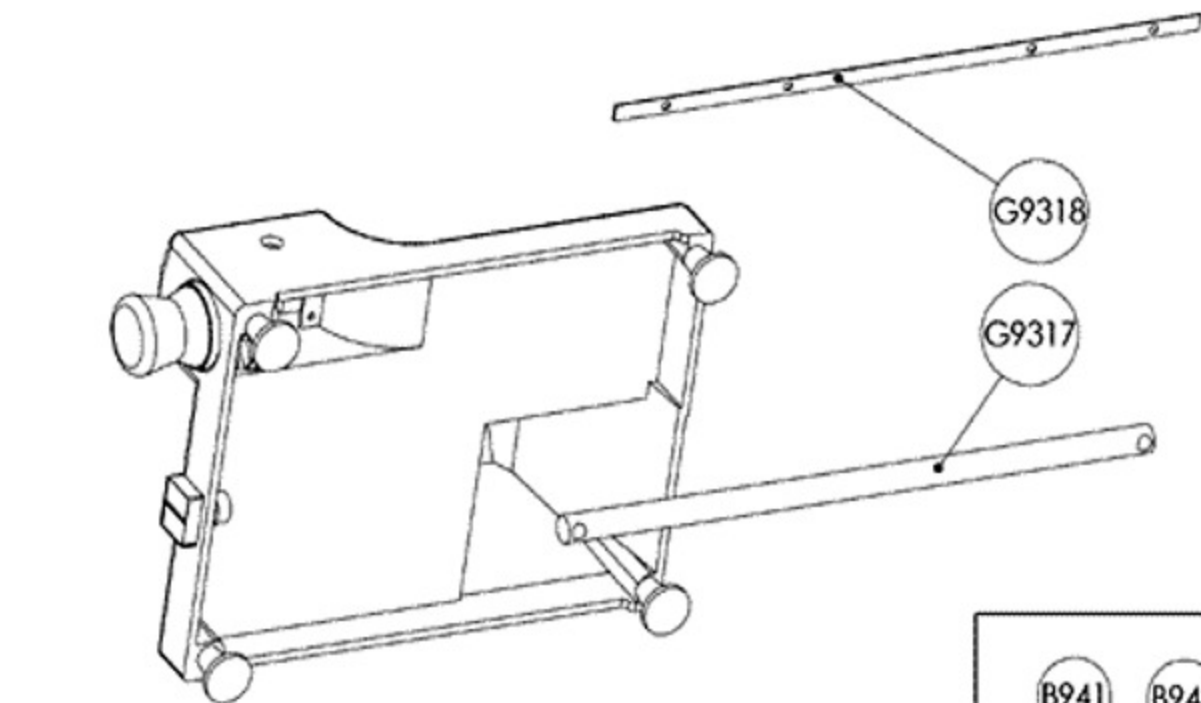
Z9SPI
Connector



Z9SCH
Single phase card
Z9TCH
Three phase card

Z9PIE
Foot



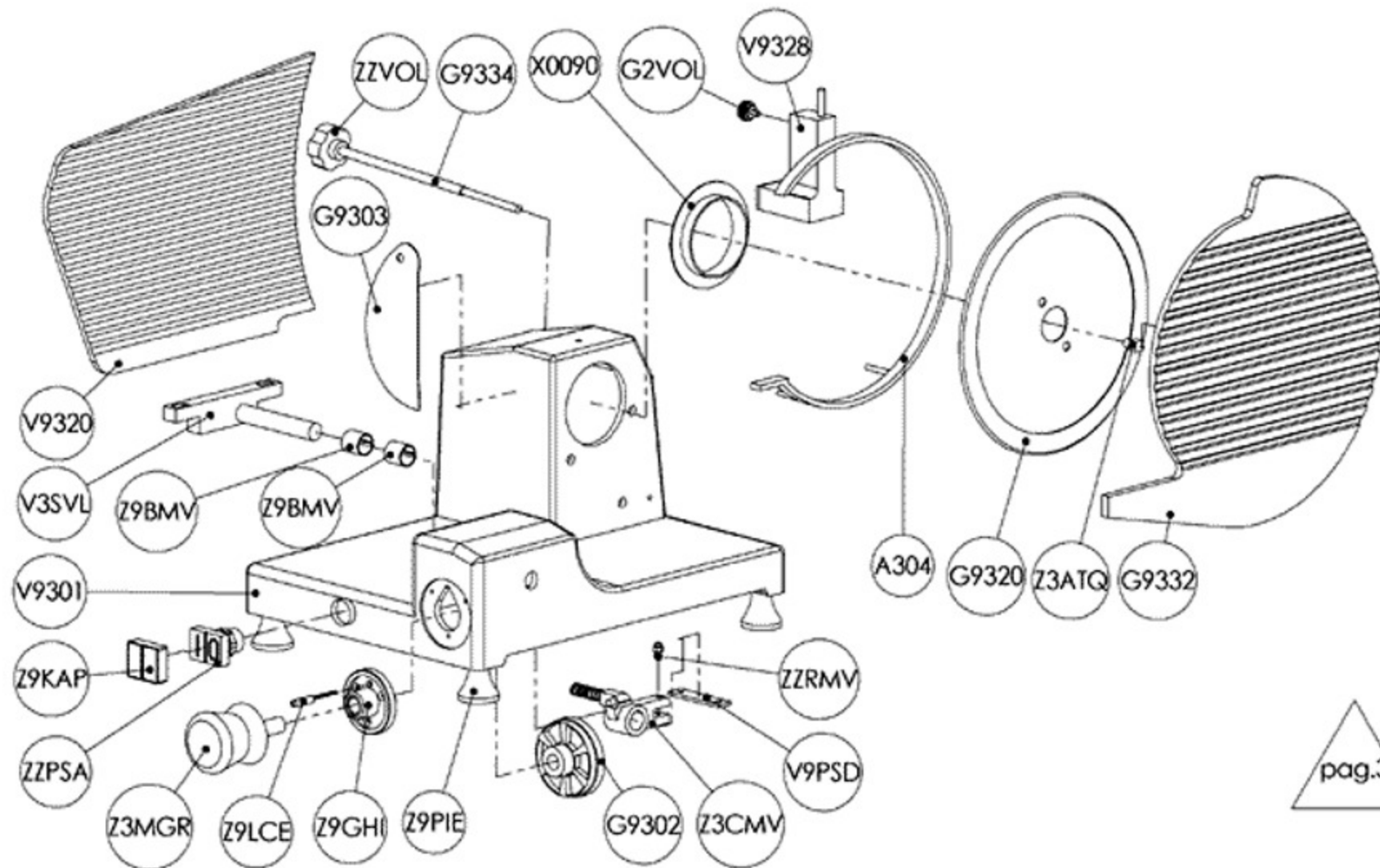


GRCAR
NOT-CE-VERSION
COMPLETE
ASSEMBLY

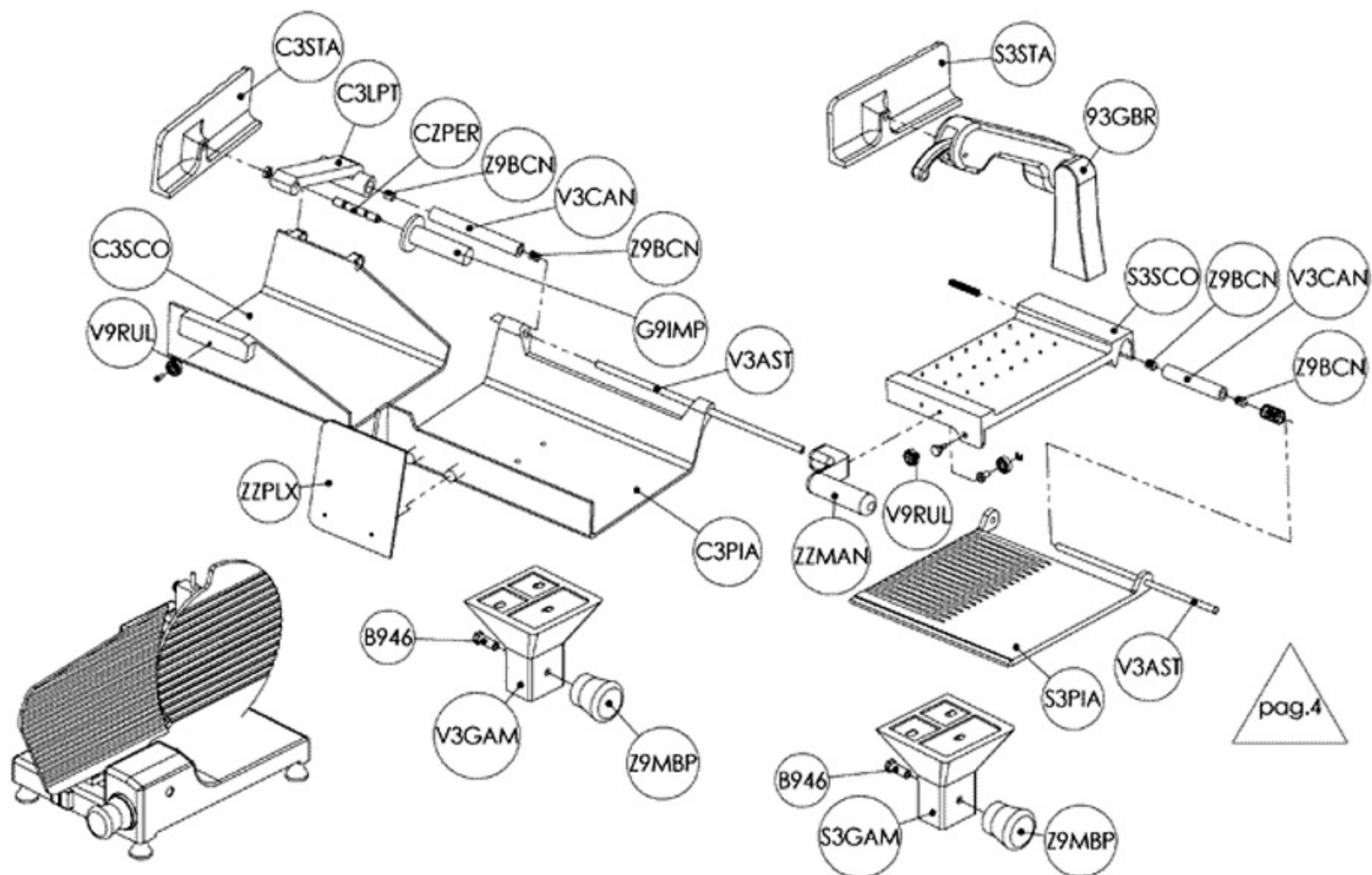
93SCR
CE-VERSION
COMPLETE
ASSEMBLY

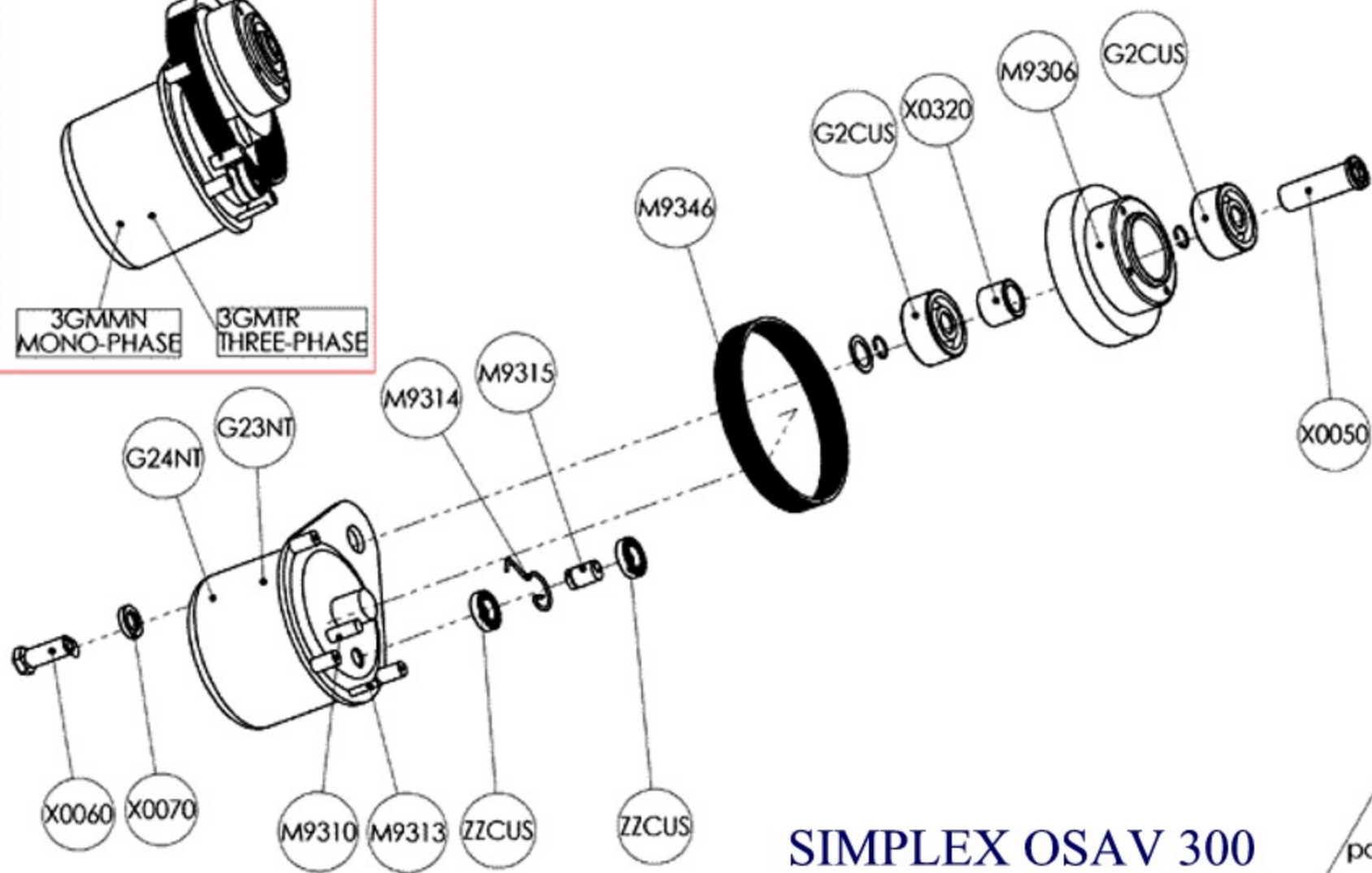
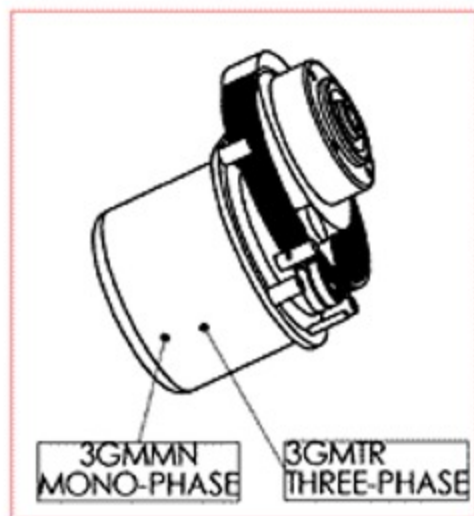
SIMPLEX OSAV 300

SIMPLEX OSAV 300

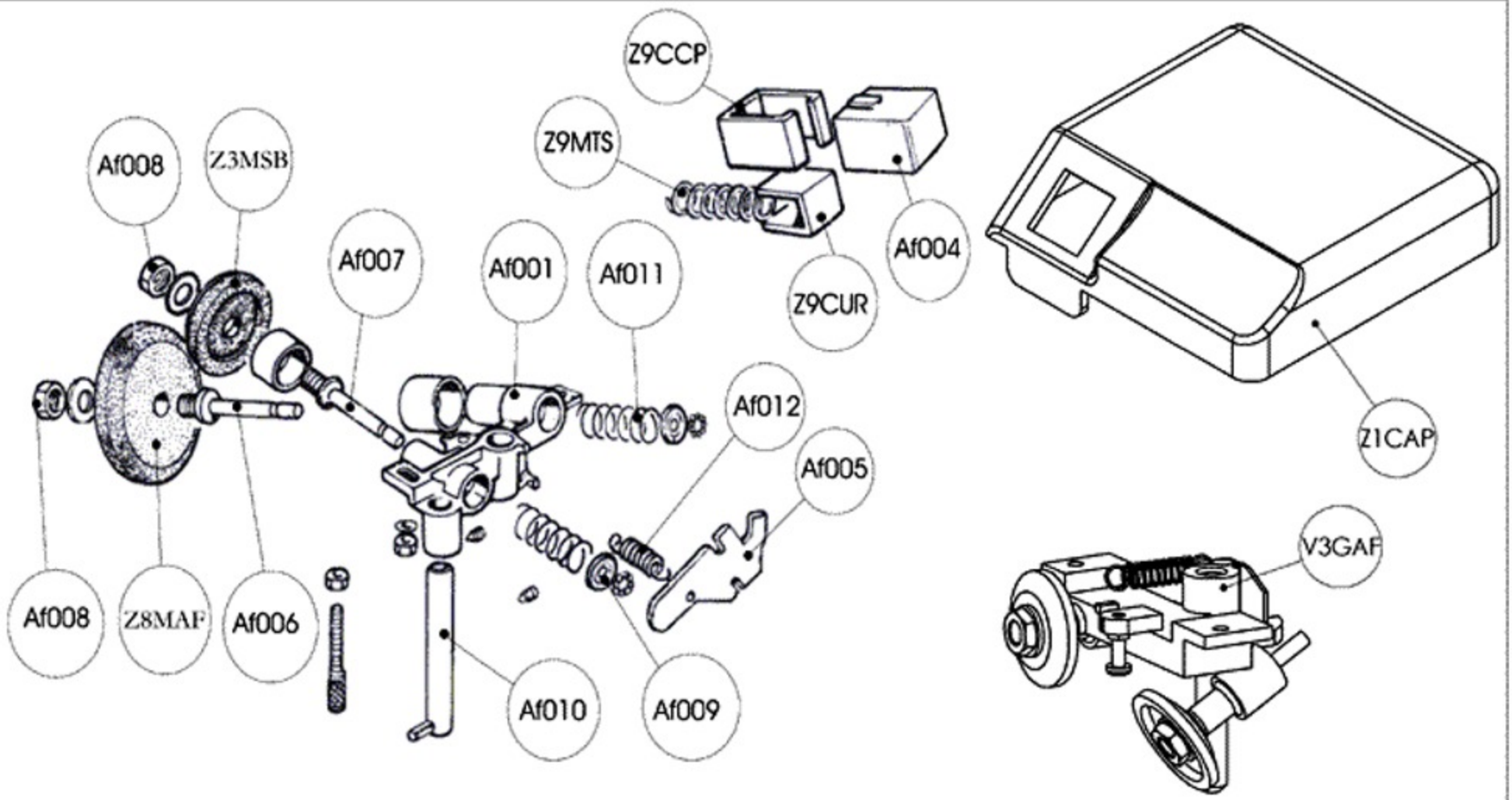


SIMPLEX OSAV 300





SIMPLEX OSAV 300



SIMPLEX OSAV 300