

SIMPLEX

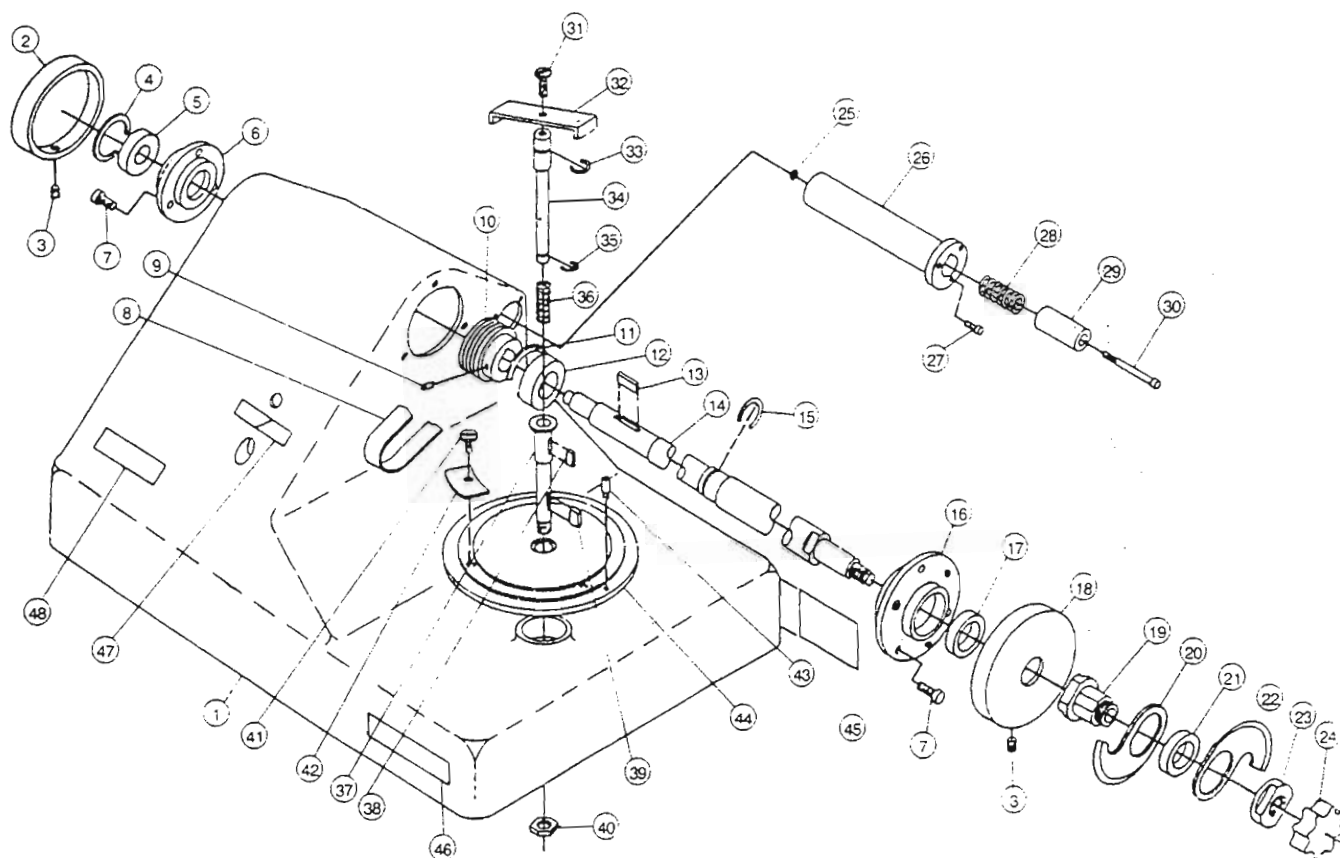


CUTTER C 6

~~**C 10**~~

KNIFE SHAFT & BOWL SUPPORT ASSEMBLIES
MODEL BC-14

FIGURE



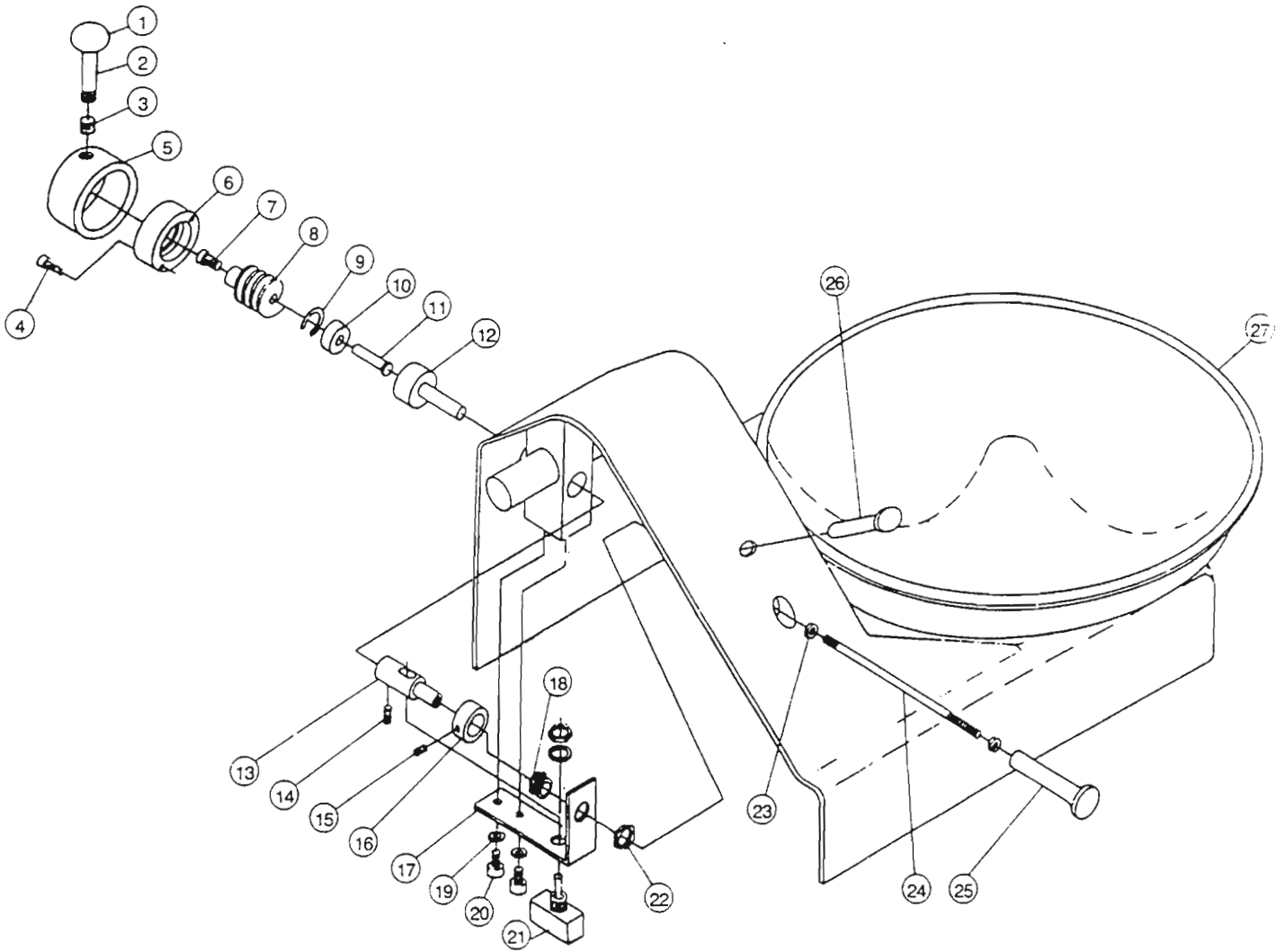
SIMPLEX
22-24, rue Benjamin Raspail
B.P. 76
92243 MALAKOFF Cedex
Tél. (1) 46.55.00.77
Fax (1) 46.55.25.05

KNIFE SHAFT & BOWL SUPPORT ASSEMBLIES
MODEL BC14
FIGURE

ILLUS. NO.	PART NO.	DESCRIPTION	QTY.
1	1814001	BASE, CASTING	1
2	1814002	COVER, LEFT SIDE SHORT SUP	1
3	1814003	SET SCREW, M5-0.8 X 16	2
4	1814004	SNAP RING, INTERNAL	1
5	1814005	BEARING	1
6	1814006	SUPPORT, LEFT SIDE SUPPORT	1
7	1814007	SCREW, HEX SOCKET HD M6-1X16	6
8	1814008	BELT, BLADE SHAFT	1
9	1814009	SET SCREW M6-1X16	5
10	1814010	PULLEY, BLADE SHAFT	1
11	1814011	SNAP RING, INTERNAL	1
12	1814012	BEARING	1
13	1814013	KEY	1
14	1814014	SHAFT, BLADE	1
15	1814015	SNAP RING, EXTERNAL	1
16	1814016	SUPPORT, RIGHT SIDE SHAFT	1
17	1814017	SEAL	1
18	1814018	COVER, RIGHT SIDE, SHAFT SUPPORT	1
19	1814019	SUPPORT, BLADE	1
20	1814020	BLADE, LEFT	1
21	1814021	SPACER	1
22	1814022	BLADE, RIGHT	1
23	1814023	NUT, BLADE SUPPORT	1
24	1814024	KNOB, CUTTER ASSEMBLY	1
25	1814025	NUT, HEX, M5-0.8	1
26	1814026	SUPPORT, BOWL COVER SHAFT	1
27	1814027	SCREW, HEX SOCKET HD M5-0.8X16	6
28	1814028	SPRING, BOWL COVER SUPPORT	1
29	1814029	BUSHING, BOWL COVER SUPPORT SHAFT	1
30	1814030	SCREW, HEX SOCKET HD M5-0.8X	1
31 ELIMINATED	1814031	SCREW, FLAT HD M5-0.8X16	1
32 EL.	1814032	BRACKET, BOWL REMOVAL SAFETY SWITCH	1
33	1814033	SNAP RING, EXTERNAL	1
34	1814034	ROD, BOWL REMOVAL SHAFETY SWITCH	1
35	1814035	SNAP, RING EXTERNAL	1
36	1814036	SPRING	1
37	1814037	SHAFT, BOWL GEARBOX	1
38	1814038	KEY	1
39	1814039	KEY	1
40	1814040	NUT, HEX M14-10	1
41	1814041	SCREW, SPECIAL HD M6-1X14	3
42	1814042	PLATE, BOWL LOCK	3
43	1814043	PIN, BOWL LOCK	1
44	1814044	SUPPORT, BOWL	1
45	4400308	LABEL, SERIAL NUMBER	1
46	4400113	LABEL, STOP UNPLUG	1
47	4400279	LABEL, START/STOP	1
48	1024010	LABEL	1

BOWL COVER/START-STOP SWITCH LATCHING ASSEMBLY
MODEL BC14

FIGURE



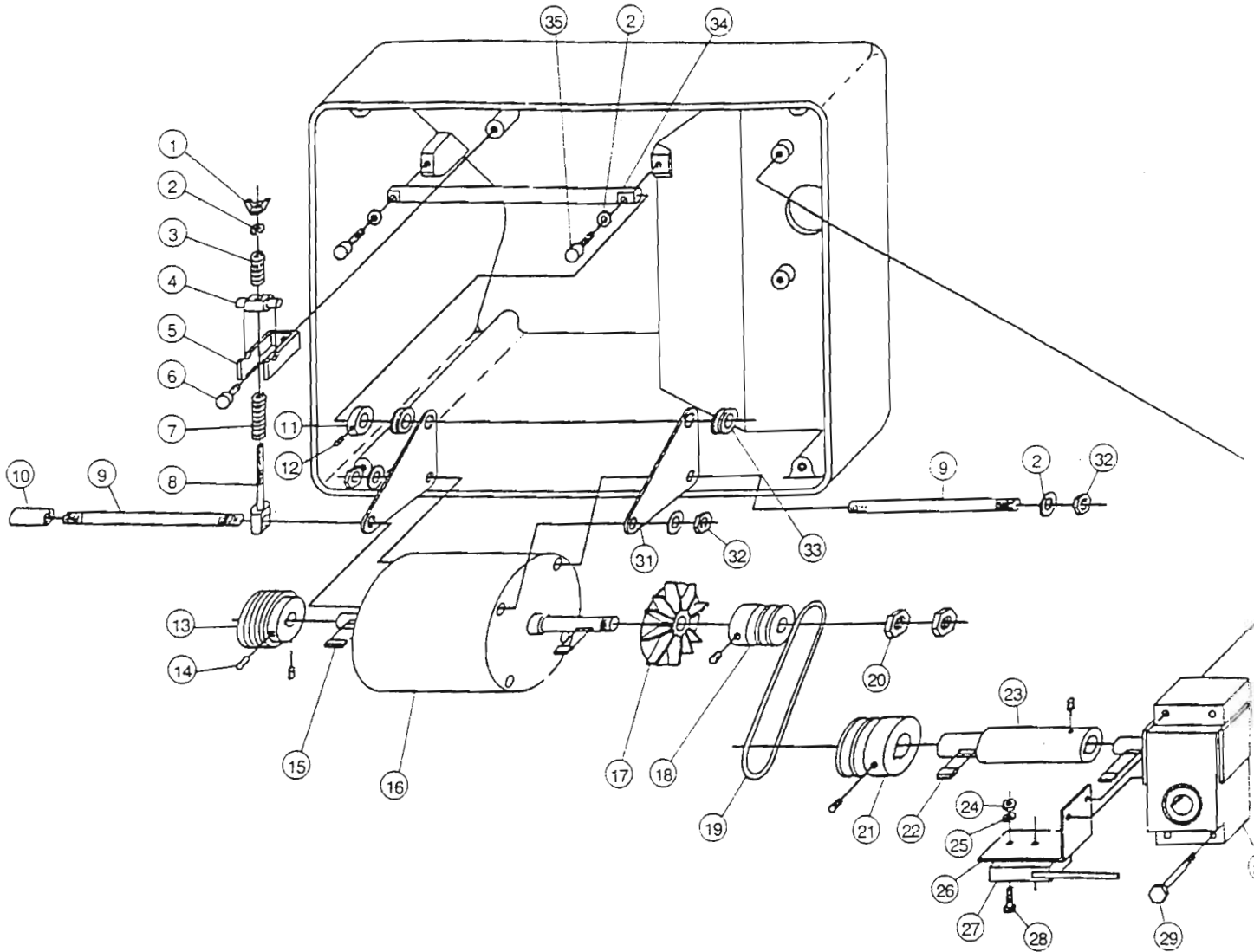
BOWL COVER/START-STOP SWITCH LATCHING ASSEMBLY
MODEL BC14

FIGURE

ILLUS. NO.	PART NO.	DESCRIPTION	QTY.
1	1814045	KNOB, BOWL COVER LOCK	1
2 EL.	1814046	ROD, BOWL COVER LOCK KNOB	1
3	1814047	SET SCREW, M8-1.25X10, POINTED TIP	1
4	1814048	COVER, BOWL COVER LOCK	1
5	1814049	SCREW, HEX SOCKET HD M5-0.8X24	2
6	1814050	WORM GEAR NUT	1
7	1814007	SCREW, HEX SOCKET HD M6-1X16	1
8	1814051	WORM GEAR	1
9	1814052	SNAP RING	1
10	1814053	BEARING	1
11	1814054	PIN, BOWL COVER LOCK BEARING	1
12	1814055	SHAFT, BOWL COVER LOCK	1
13	1814056	SHAFT, ROD AND SWITCH	1
14	1814057	SET SCREW, M4-0.7X10	1
15	1814058	SET SCREW, M6-1X8	1
16	1814059	SPACER	1
17	1814060	BRACKET, ON/OFF SWITCH	1
18	1814061	BUSHING, ROD AND SHIFT SHAFT	1
19	1814062	WASHER, FLAT M5	2
20	1814063	SCREW, HEX SOCKET HD, M5-0.8X10	2
21	7120009	SWITCH, ON/OFF	1
22	1814065	NUT, HEX	1
23	1814066	NUT, HEX, M6-1	2
24	1814067	ROD, ON/OFF	1
25	1814068	KNOB ON/OFF	1
26	1814069	LIGHT ON/OFF	1
27	1814070	BOWL	1

MOTOR MOUNTING & BOWL DRIVE ASSEMBLIES
MODEL BC14

FIGURE



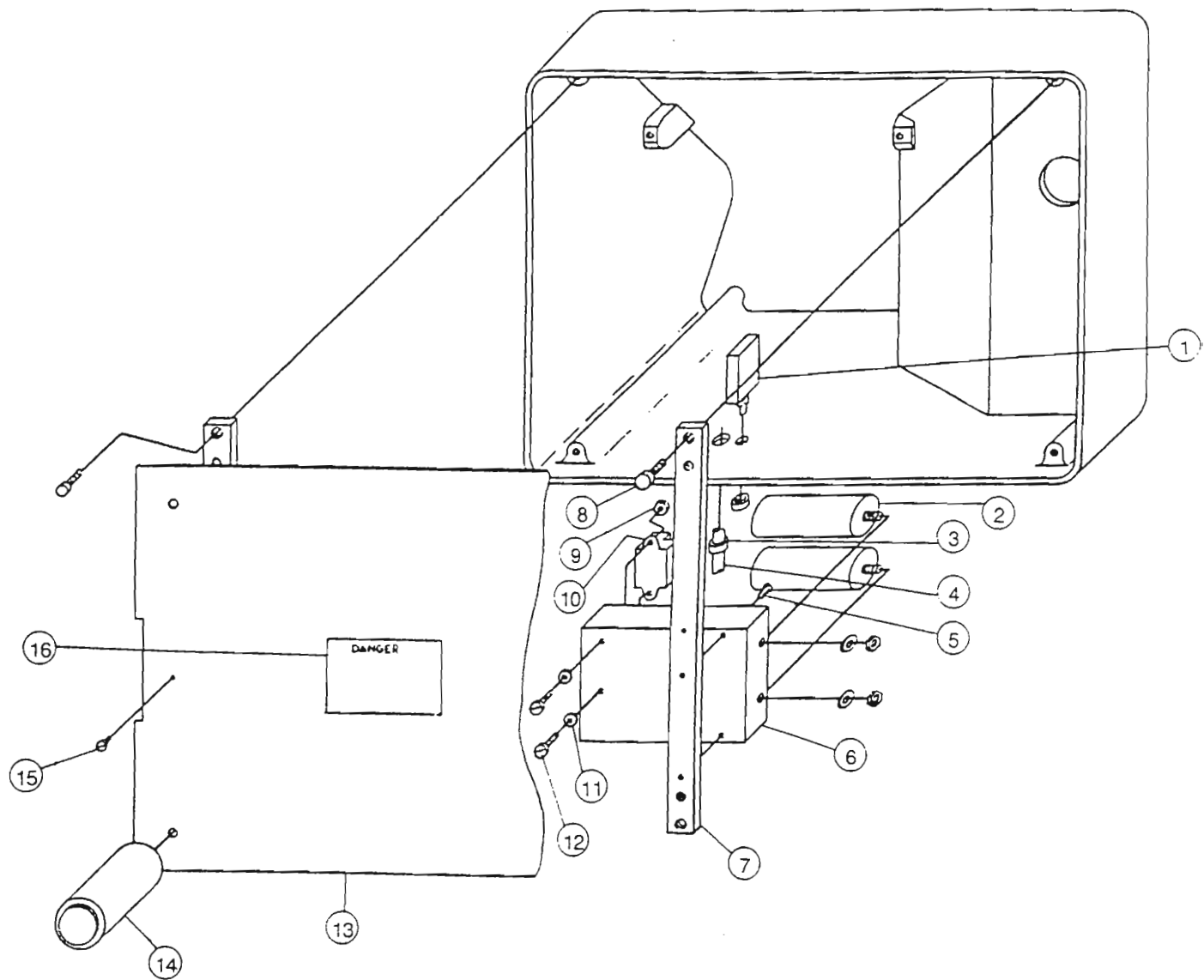
MOTOR MOUNTING & BOWL DRIVE ASSEMBLIES
MODEL BC14

FIGURE .

ILLUS NO.	PART NO.	DESCRIPTION	QTY.
1	1814071	NUT, WING, M8-1.25	1
2	1814072	WASHER, FLAT M8	3
3	1814073	SPRING	1
4	1814074	BUSHING, PIVOT	1
5	1814075	BRACKET, MOTOR ADJUSTMENT	1
6	1814076	SCREW, HEX SOCKET HD M8-1.25X16	1
7	1814077	SPRING	1
8	1814078	BOLT, MOTOR ADJUSTMENT	1
9	1814079	ROD, MOTOR MOUNTING	1
10	1814080	BUSHING, MOTOR ADJUSTMENT	1
11	1814081	SPACER, MOTOR MOUNT	1
12	1814082	SET SCREW	1
13	1814083	PULLEY, BLADE SHAFT MOTOR	1
14	1814007	SET SCREW M6-1X16	3
15	1814084	KEY	2
16	8512844	MOTOR	1
17	1814086	FAN	1
18	1814087	PULLEY, GEARBOX MOTOR	1
19	1814088	BELT, GEARBOX DRIVE	1
20	1814089	NUT, HEX M14-1.5	2
21	1814090	PULLEY, GEARBOX	1
22	1814091	KEY	2
23 EL.	1814092	SHAFT, GEARBOX	1
24	1814093	NUT, HEX	2
25	1814094	WASHER	2
26	1814095	BRACKET, BOWL SWITCH	1
27	1814096	SWITCH, BOWL	1
28	1814097	SCREW, FLAT SLOTTED HD	2
29	1814098	BOLT	4
30	1814099	GEARBOX	1
31	1814100	BRACKET, MOTOR MOUNTING	2
32	1814101	NUT, HEX	2
33	1814102	GROMMET	2
34	1814103	ROD, MOTOR MOUNTING BRACKET	1
35	1814104	SCREW, HEX SOCKET HD M8-1.25X	2

ELECTRICAL COMPONENT ASSEMBLY
MODEL BC14

FIGURE



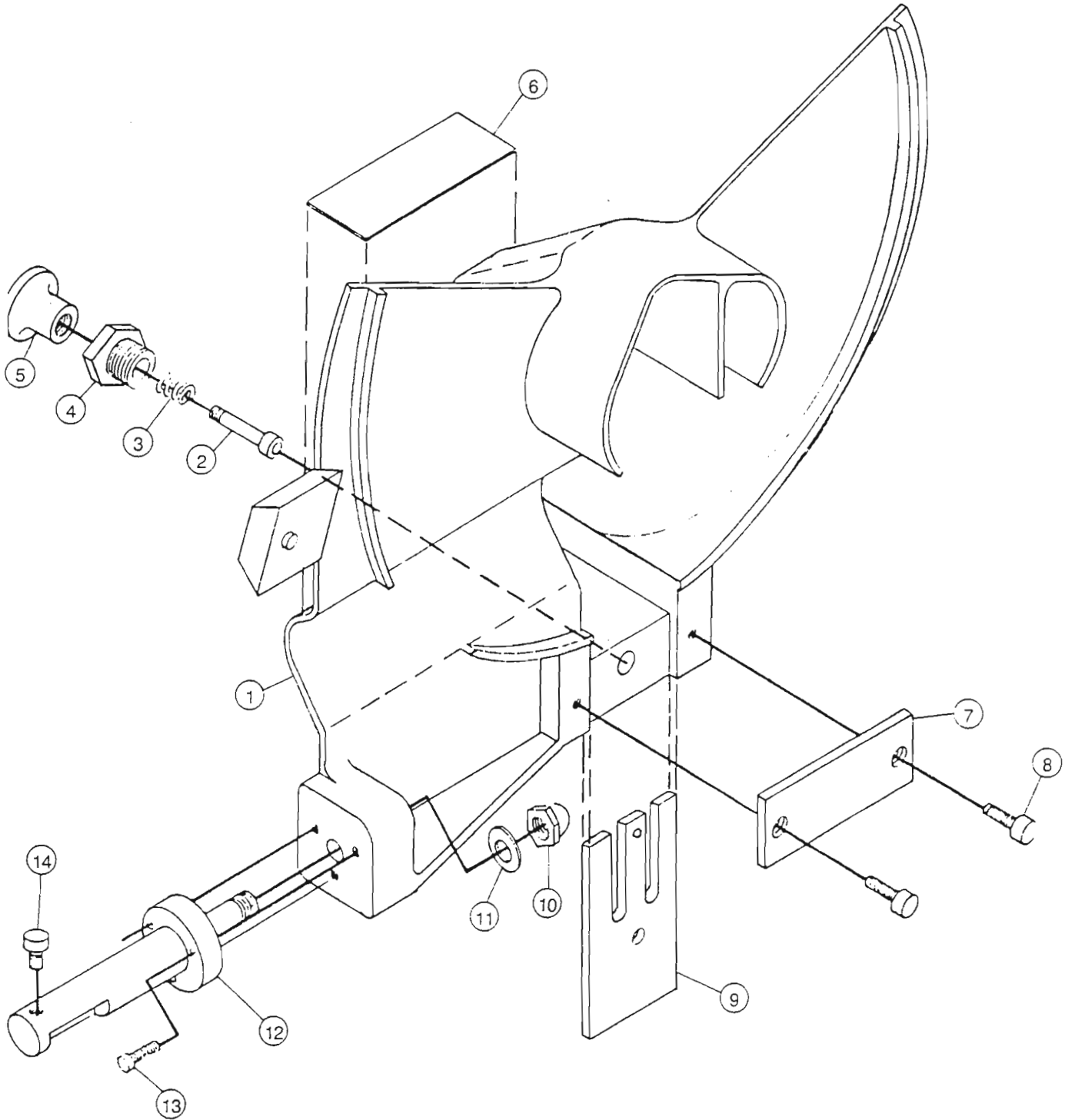
ELECTRICAL COMPONENT ASSEMBLY
MODEL BC14

FIGURE

ILLUS NO.	PART NO.	DESCRIPTION	QTY.
1	1814105	CIRCUIT BREAKER	1
2	8512616	CAPACITOR	2
3	1814107	STRAIN RELIEF	1
4	1814108	CORD	1
5	1814109	SCREW, PAN HD.	2
6	1814110	HOLDER, CAPACITOR	1
7	1814111	SUPPORT, FEET	2
8	1814112	SCREW, HEX SOCKET HD.	4
9	1814113	NUT, HEX	2
10	8512620	RELAY	1
11	1814115	WASHER	2
12	1814116	SCREW, PAN HD.	2
13	1814117	COVER, BOTTOM	1
14	1814118	FEET	4
15	1814119	SCREW	2
16	4400271	LABEL, DANGER	1

BOWL COVER ASSEMBLY
MODEL BC14

FIGURE



BOWL COVER ASSEMBLY
MODEL BC14

FIGURE

ILLUS. NO.	PART NO.	DESCRIPTION	QTY.
1	1814120	COVER, BOWL	1
2	1814121	SCREW, HEX SOCKET HD M5-0.8X	1
3 EL.	1814122	SPRING, BOWL COVER RELEASE	1
4	1814123	NUT	1
5	1814124	KNOB, BOWL COVER RELEASE	1
6	4400409	LABEL	1
7	1814125	PLATE, COMB	1
8	1814007	SCREW, HEX SOCKET HD M6-1X16	2
9	1814126	COMB	1
10	1814127	NUT, ACORN M12-1.75	1
11	1814128	WASHER, FLAT M12	1
12	1814129	SUPPORT, BOWL COVER	1
13	1814027	SCREW, HEX SOCKET HD, M5-0.8X16	3
14	1814130	SCREW, HEX SOCKET HD, M5-0.8X10	1

ELECTRICAL
SCHEMATIC
MODEL BC-14

FIGURE

