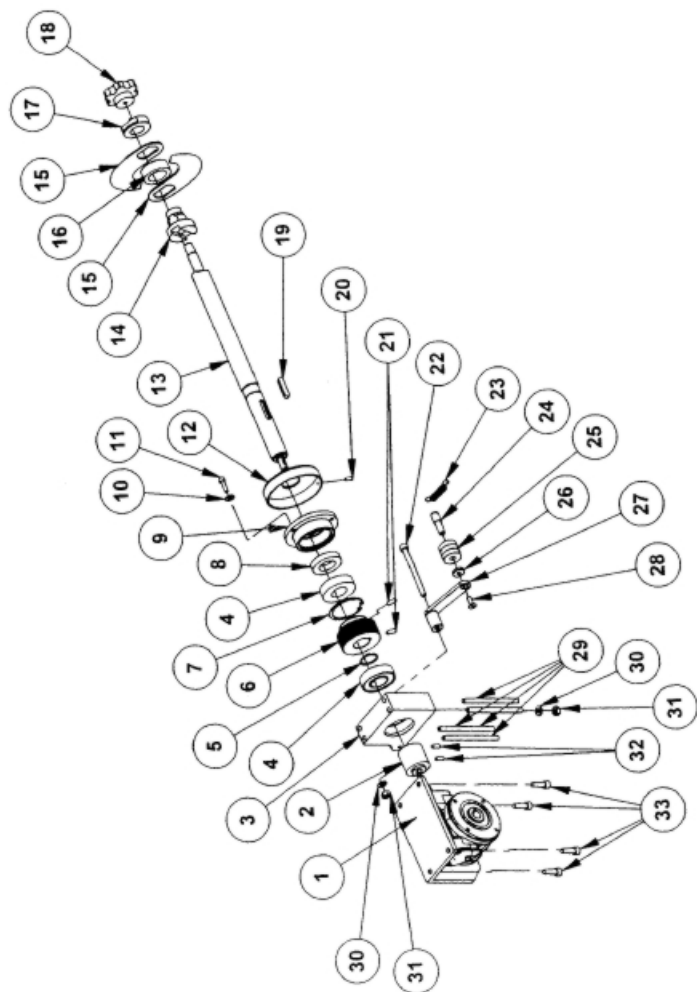


BLADE SHAFT ASSEMBLY

FIGURE 4

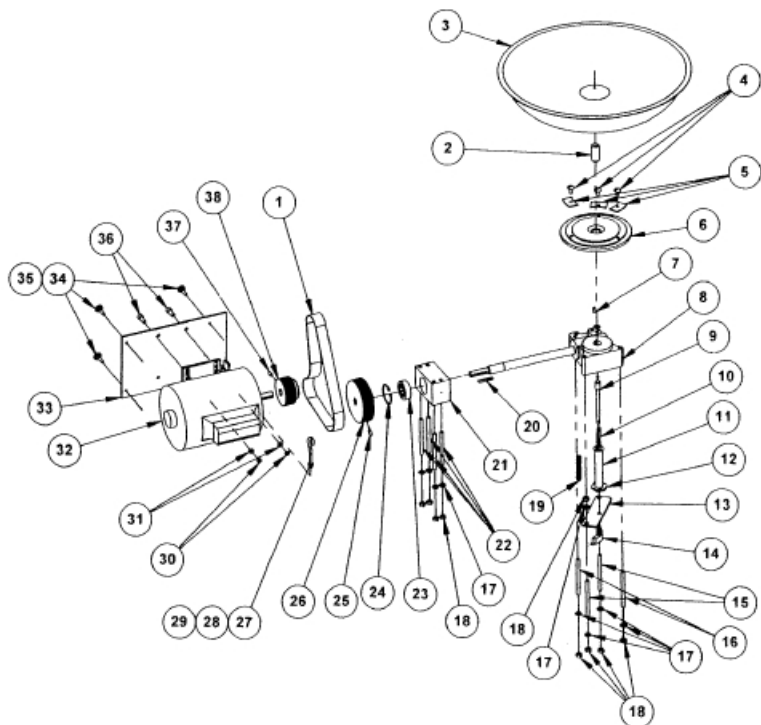


MOTOR & BOWL DRIVE ASSEMBLY

ILLUS. NO.	PART NO.	FIGURE 5 DESCRIPTION	QTY.
1.	F3030133	Belt	1
2.	F406AB23	Post, actuator, bowl	1
3.	F405FC44	Bowl, 18"	1
4.	F7900028	Screw, M6 x 10mm	3
5.	F405FC01	Washer, bayonet	3
6.	F4020375	Plater, bowl drive	1
7.	F4100369	Pin, bowl stop	1
8.	F4080306	Gearbox assy., bowl drive	1
9.	F4100259	Shaft, plunger	1
10.	F3031333	Spring,compression	1
11.	F4100303	Shaft, gearbox output	1
12.	F4100130	Nut,output shaft	1
13.	F4101286	Bracket, bowl switch	1
14.	1818017	Switch, interlock	1
15.	F700302A	Stud, M8 x 90mm	2
16.	F700303A	Stud, M8 x 75mm	2
17.	F7003808	Washer, M8	10
18.	F7004008	Nut, M8	10
19.	F7004316	Key, gearbox output	1
20.	F7001630	Key, gearbox input	1
21.	F4101282	Bearing housing, bowl drive	1
22.	F700014N	Stud, M8 x 60mm	4
23.	F4100130	Bearing	1
24.	F7000547	Retaining ring int.	1
25.	F700354A	Set screw, M6 x 18mm	1
26.	F4101281	Pulley, bowl drive	1
27.	1200476	Eyebolt, 1/4-20 x 1	1
28.	1200075	Washer, 1/4"	1
29.	4400141	Nut, 1/4 - 20	2
30.	1200063	Nut, kep, 5/16-18	4
31.	1200078	Washer, 5/16"	4
32.	1030308	Motor, 115/208-240V./60HZ/1PH	1
	1818022	Motor, 220-240V./50HZ/1PH	1
	1818023	Motor, 208-240/460V./60HZ/3PH	1
33.	1818010	Plate, motor mounting	1
34.	F3040167	Cap	4
35.	F7003057	Screw, M8 x 20mm	4
36.	1200039	Screw, 5/16-18 x3/4"	4
37.	1200412	Set Screw,1/4 - 20 x1/4"	2
38.	F4101280	Pulley, motor	1

MOTOR & BOWL DRIVE ASSEMBLY

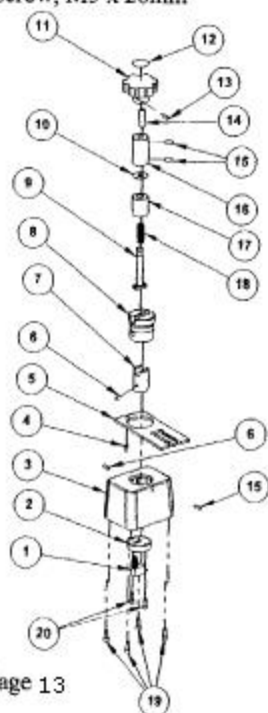
FIGURE 5



COVER LOCK ASSEMBLY

FIGURE 7

ILLUS. NO.	PART NO.	DESCRIPTION	QTY.
1.	1818017	Switch, interlock	2
2.	F4100062	Switch plate	1
3.	F4020136	Base extension	1
4.	F4100775	Pin, comb	1
5.	F406AB10	Comb	1
6.	F7001750	Set screw M6 x 20mm	2
7.	F4101293	Shaft, switch actuating	1
8.	F4100060	Housing, lock shaft	1
9.	F4100068	T shaft, lock assy.	1
10.	F700263F	Spring washer	1
11.	F4101233	Knob, cover lock	1
12.	4400518	Label, open/close	1
13.	F7001734	Set screw, M5 x 8mm	1
14.	F7001760	Stud, M12 x 30mm	1
15.	F7001745	Set screw, M6 x 10mm	3
16.	F406AB22	Extension	1
17.	F4100070	Sleeve	1
18.	F3031223	Spring, compression	1
19.	F7003338	Screw, socket hd. M6 x 20mm	4
20.	F7003328	Screw, M5 x 20mm	2

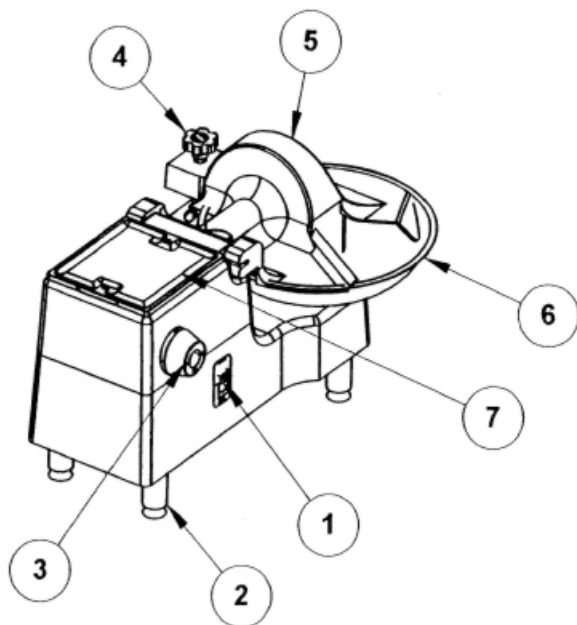


ASSEMBLY OF NEW UNIT:

Caution: Before making electrical connections, check that the specifications on the data plate located on the BC18 agree with those of your electrical service.

The Bowl Cutter (Page 3 Fig. 1) is shipped fully assembled except for the 2" round legs. The legs are packed separately for safe shipping and will easily thread into the underside of your machine.

FIGURE 1 BOWL CUTTER



1. ON/OFF Switch
2. Legs
3. PTO

4. Bowl Cover Latch
5. Bowl Cover
6. Bowl

CHOOSING THE RIGHT LOCATIONS

Please make certain this countertop unit is located at a safe and secure position (on a stable, level surface) with easy access to the power supply. It is also desirable to have a prep sink close by for easy cleaning.

BOWL CUTTER OPERATION

Clean the BC18 Bowl Cutter before using, carefully following the cleaning instructions on page 5.

Operating Tips:

1. All products should be clean and prepared for cutting beforehand.
2. Product should be cut small enough to fit into the opening between the bowl cover and the bowl.
3. For coarse cut, allow product to pass by the blades only once.
4. For finer cut, allow product to pass by the blades until desired cut is obtained.

Your stainless bowl (Fig. 1, Item 6) twist locks into place over our Univex safety sensor (Fig. 5, Item 16). The safety sensor is to assure that the machine will not operate without the bowl correctly located in place.

Locate the bowl cover latch (Fig. 1, Item 4) at the rear of the bowl. This safety latch is to assure that the bowl cover is in the full down and locked position before the BC18 will function. Rotate the latch clockwise 90° until it can rotate no longer to lock the cover in place. If either of these special safety features appear to be malfunctioning, STOP and call for assistance.

The bowl cover conceals the BC18 blades and is designed to insure that **only** food can go through the cutting zone while the machine is in operation. **Do not attempt either with hands or a foreign object to reach under this cover.** Should an item be too large and jam, shut off the machine, unlock and raise the cover to remove this item. In addition, there is an indicator light in the START/STOP switch which when lit indicates the machine is running.

PTO OPERATION

The power-take-off hub (Fig. 2, Item 3) accommodates #12 tapered attachments such as a Vegetable Slicer & Shredder, or a Meat & Food Chopper. Before installing attachments, turn the BC18 off. Remove the PTO cap (Fig.2, Item 1) and loosen the thumbscrew on the PTO hub(Fig 2, Item 14). Insure adaptor (Fig. 2, Item 2) is properly installed on the drive shaft. Insert the attachment with a slight twist until firmly in place. Tighten the thumbscrew. **Be sure to read and follow any safety instructions for attachments that you operate on the PTO.**

SAFETY NOTES

Always turn off the BC18 to install or remove attachments. Cover the PTO hub with PTO cap when not in use.

CLEANING

1. Before **initial** cleaning and **each** cleaning thereafter, make certain your BC18 is not connected to the power source, and the switch is in the STOP position.
2. Rotate the bowl cover locking knob (Fig. 7, Item 11) counterclockwise 90° to the UNLOCK position which will allow the bowl cover to be raised to an OPEN position. This cover can be removed by lifting it off its mounting shaft.
3. Slowly turn the knife shaft to (a) confirm it moves freely; (b) make certain there is clearance between the knives and the bowl; (c) locate the rear blade slightly above bowl lip for removal.
4. Unscrew the knife shaft knob (Fig. 4, Item 18).
5. Carefully remove knife assembly.
6. Carefully twist the bowl clockwise (or unlocked position) and lift off.
7. Remove comb (Fig. 7, Item 5) from the housing.
8. These items should be hand washed, rinsed and sanitized initially before and after each operation. Do not rinse with a hose. Do not use abrasive pads.
9. After the pieces have dried, safely set the bowl back over safety sensor. Twist the bowl counterclockwise locking it back into place.
10. Carefully reposition the knife assembly into the notch and secure with the knife shaft knob (Fig. 4, item 18). Confirm its proper position by manually turning the shaft (Fig. 4, Item 13) to make certain there is proper clearance in full rotation.
11. Insert the comb (Fig. 7, Item 5) into the housing. Slide the bowl cover back onto its mounting shaft. Confirm that by rotating the bowl-locking knob clockwise into the locked position, the cover (Fig. 1, Item 5) cannot be raised.

You are now ready to connect your Bowl Cutter to the power source and enjoy many years of trouble free, labor saving performance!

MAINTENANCE

Knives: Eventual wear will cause blades (Fig. 4, Items 15) to become dull. Sharpening can be done, but only by an experienced professional. Knife replacement blades are available **only** as a set. Blade sets are precision matched and should be initially installed by a professional service agent.

DRIVE SYSTEM TROUBLESHOOTING GUIDE

TROUBLE	REMEDY
Bowl, knife, and PTO all have rotation problems	Check & replace (if required) the belt, motor, or electrical components.
Bowl rotation only problem	Check and replace the gearbox.
PTO problem	Check and replace (if required) the gearbox and flexible coupling. Insure PTO adaptor is inserted.

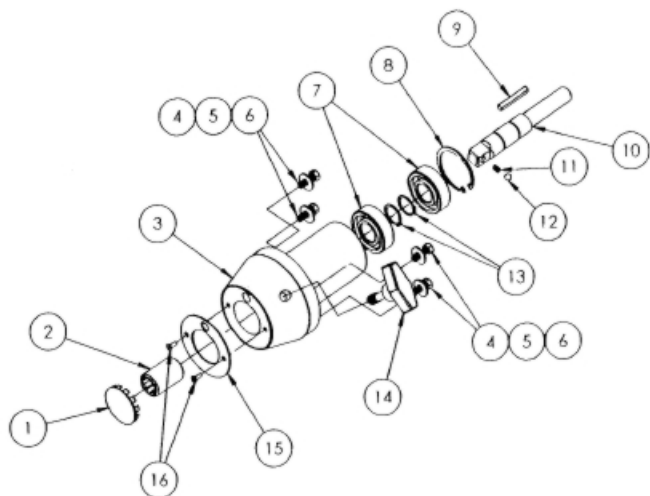
If bowl or knife rotation problems should occur, it is most likely a belt problem.

The following is a complete Parts List, Wiring and Detailed Assembly Diagrams for your BC18.

P.T.O. ASSEMBLY
FIGURE 2

ILLUS. NO.	PART NO.	DESCRIPTION	QTY.
1.	8800033	Cover, PTO	1
2.	8800012	Adaptor	1
3.	1818015	Housing, PTO (BC18)	1
4.	1200025H	Screw, hxhd, 1/4-20x3/4	4
5.	4400005	Washer, lock 1/4	4
6.	1200075	Washer, 1/4	4
7.	1030019	Bearing, 6204LL	2
8.	1200117	Retaining ring, internal	1
9.	4400230	Key, 3/16 sq. x 1 1/2	1
10.	1818016	Shaft, PTO	1
*11.	4400006	Spring, 1/4 od, compression	1
*12.	4400016	Ball, steel 1/4 dia.	1
13.	1200119	Retaining ring, ext.	2
14.	8700019	Knob Assy., PTO	1
15.	4400210	Washer, PTO	1
16.	8900019	Screw, sfhd 6-32 x 3/8	2

* Part of Shaft # 10 (not sold separately)



MAIN HOUSING

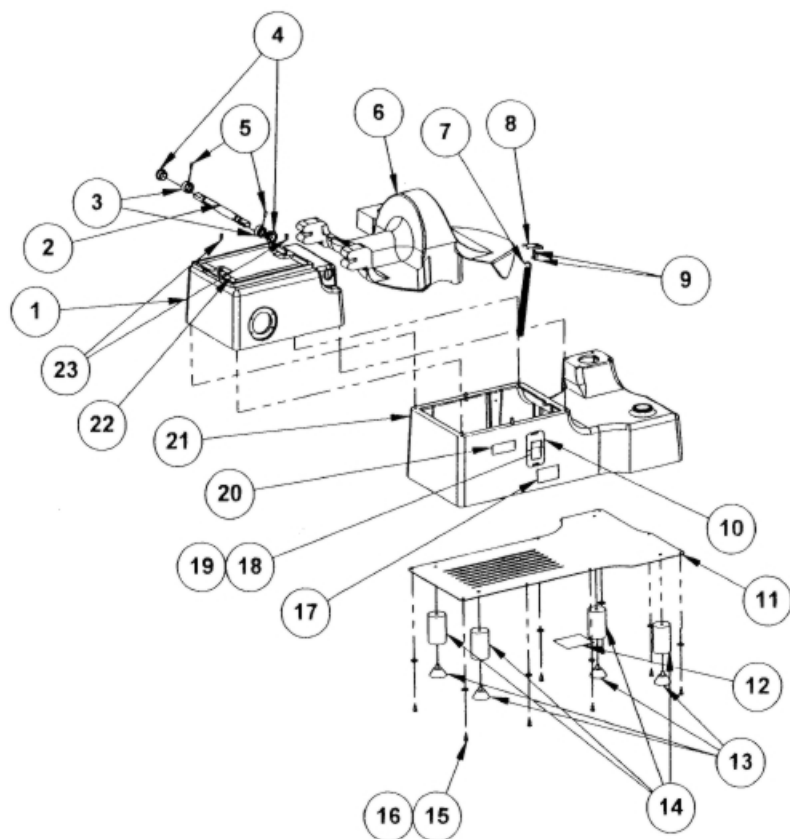
FIGURE 3

ILLUS. NO.	PART NO.	DESCRIPTION	QTY.
1.	F4020134	Housing, top	1
2.	F4101274	Axle	1
3.	F406AB24	Collar	2
4.	F3030824	Bushing	2
5.	F7001757	Set screw	2
6.	F4020152	Blade cover	1
7.	F3031282	Spring, cover	1
8.	F4710128	Anchor, cover spring	1
9.	F7001347	Screw, M6 x 20	1
10.	4400517	Label, start/stop	1
11.	F405AC30	Bottom cover	1
12.	4400409	Label danger	1
13.	8512855	rubber foot	4
14.	1814118	Leg	4
15.	F7000333	Screw, M6 x 16	9
16.	1200075	Washer	9
17.	4400355	Label, person under age	1
18.	* F3040165	Switch, start/ stop	1
	F3040400	Lamp 120 volt	1
	F3040407	Lamp 24 volt (460V. machine)	1
	F3040408	Lamp 240 volt	1
19.	4400517	Label, start/stop	1
20.	4400326	Label, Univex	1
21.	F4020127	Housing, base	1
22.	1818011	Cutting board	1
23.	1818014	Pin, cutting board	1

* When ordering switch please specify which pilot lamp is required.

MAIN HOUSING

FIGURE 3



BLADE SHAFT ASSEMBLY

FIGURE 4

ILLUS. NO.	PART NO.	DESCRIPTION	QTY.
1.	F4080307	Bracket, gearbox mounting	1
2.	F4101271	Coupling	1
3.	F4101272	Housing, bearing support	1
4.	F3030311	Bearing,	2
5.	F7000557	Retaining ring, external	1
6.	F4100012	Pulley, blade/PTO drive	1
7.	F7000547	Retaining ring, internal	1
8.	8512227	Seal	1
9.	1814016	Bearing housing, plastic	1
10.	6509041	Washer, M6	3
11.	1204005	Screw, M6 x 20mm	3
12.	1814018	Cover, bearing housing	1
13.	F4100012	Shaft, blade	1
14.	1814019	Arbor, blade assy.	1
15.	F3031102	Blade set	2
16.	1814021	Spacer, blade assy.	1
17.	1814023	Nut, blade assy.	1
18.	1814024	Knob, blade assy.	1
19.	F7001640	Key	1
20.	F7001735	Set screw, M5 x 20mm	1
21.	F7001745	Set Screw, M6 x 10mm	1
22.	F700334H	Screw, M8 x 70mm	1
23.	F3030133	Spring, idler	1
24.	F4100542	Shaft, idler bearing	1
25.	F3030302	Bearing	3
26.	F4101292	Spacer	1
27.	F4101283	Idler arm	1
28.	F7001347	Screw, M6 x 20	1
29.	F700300A	Stud, M8 X 115mm	4
30.	F7003808	Washer	4
31.	F7004008	Nut	4
32.	F7001724	Set Screw	2
33.	F7003349	Screw, M8 x 25mm	4